

F&T Fischer & Tausche
Kondensatoren GmbH
Nedderweg
25813 Husum / Germany
Tel. +49 (0) 4841 8957 0
Fax. +49 (0) 4841 8957 45
Email info@ftcap.de

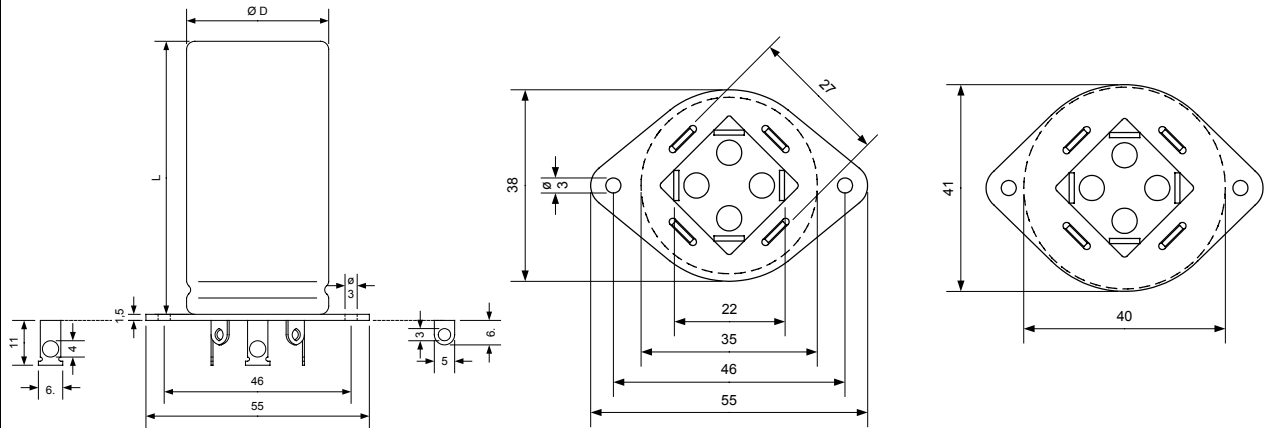
F&T Fischer & Tausche Kondensatoren GmbH



Datasheet

Type : KTL four prong US-Style twist mount

RoHS Compliant



Electrical Parameters

Reverse Voltage (U_R) max. 1 s	2 V				
Tolerance	-10 / +30 %				
ESL typ.	20 nH				
Leakage Current (I_L) $U_R / 5 \text{ min} / 20 \text{ }^\circ\text{C}$	0,006 * C_R [μF] * U_R [V] [μA]				
	Rated Capacitance (C_R) 100 Hz / 20 $^\circ\text{C}$ [μF]	Rated Voltage (U_R) [V]	Tan δ typ. 100 Hz / 20 $^\circ\text{C}$ [%]	D [mm]	L [mm]
KTL 10	2000 / 2000	35	20	35	55
KTL 3	250	250	10	35	70
KTL 9	50 / 50 / 50 / 50	500	8	40	60
KTL 25	80 / 40 / 30 / 20			35	98
	80 / 40 / 20	550	8		
	30	525	8		
KTL 13	30 / 20 / 20 / 20	550	8	35	88
KTL 14	40 / 40 / 20 / 20	550	8	40	60

Useful life
as a function of ambient temperature and actual ripple current

